



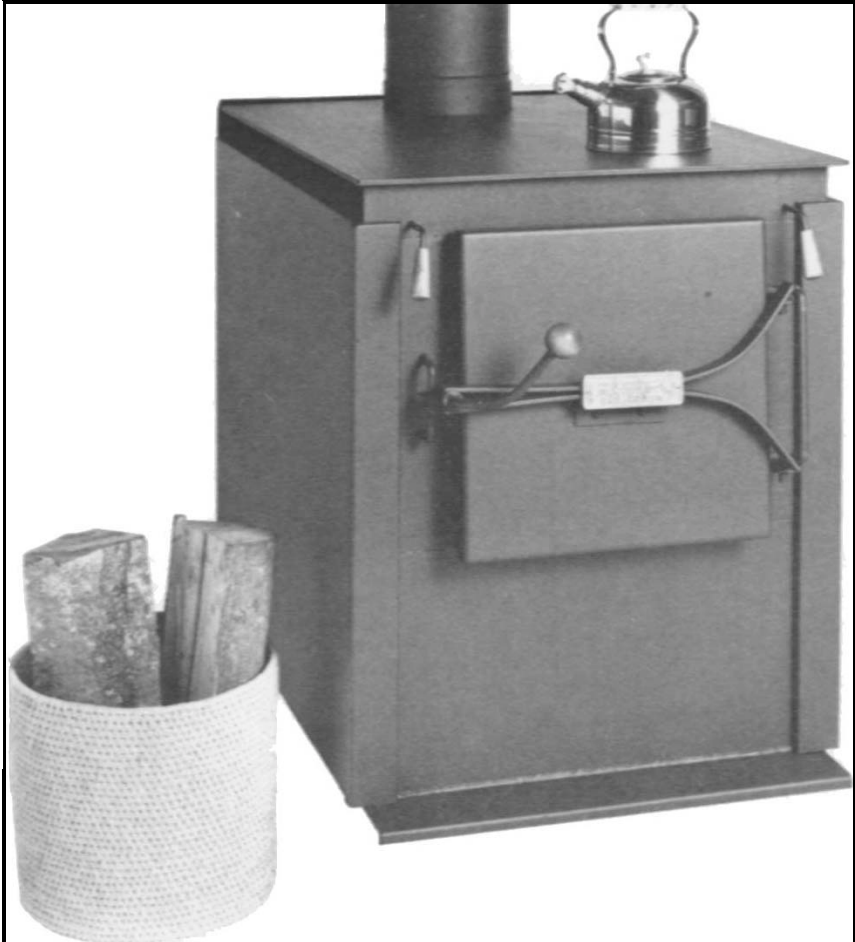
Box 3637, Smithers, BC V0J 2N0

SOLID FUEL SPACE HEATER

Model HF85R

INSTALLATION AND OPERATION INSTRUCTION MANUAL

*PLEASE
KEEP THESE
INSTRUCTIONS
FOR FUTURE
REFERENCE*



Operation

Maintenance

Installation

DEAR CUSTOMER:

You have purchased what we feel is possibly the best wood burning heating system in North America today!

You will find that your ARDENT ENERGY heater will operate much differently than the old fashioned fire boxes of the past, offering vastly reduced creosote deposits and an extended burn time.

It is in your best interest to become familiar with your ARDENT ENERGY heating system. Study your Installation Manual carefully before attempting to install your heating system. Avoid discarding your Installation Manual, as it may be used for future reference.

In the event you wish to add optional equipment to your unit at a later date, please inform your ARDENT ENERGY dealer. The serial number of your heater should be included with your order to assure prompt and accurate service.

We congratulate you on your choice of the ARDENT ENERGY heating system and may your home fires keep burning!

Yours truly,

ARDENT ENERGY Inc



J G (Hans) Duerichen P. Eng.
President
June 2001 (ver 3)

TABLE OF CONTENTS

SAFETY INSTRUCTIONS	PAGE	3
GENERAL SPECIFICATIONS	PAGE	3
OPERATION INSTRUCTIONS	PAGE	4
Fuel	PAGE	4
The bypass damper	PAGE	4
Lighting	PAGE	4
Reloading	PAGE	4
MAINTENANCE	PAGE	4
Ash removal	PAGE	4
Door	PAGE	4
Draft control	PAGE	5
Brick	PAGE	5
Exterior	PAGE	5
Hot water system	PAGE	5
INSTALLATION	PAGE	5
Location and clearances	PAGE	5
Installation procedure	PAGE	5
Connection to chimney	PAGE	5
Chimney	PAGE	6
Chimney termination	PAGE	6
INSTALLATION OF OPTIONS	PAGE	6
Wall thermostat kit	PAGE	6
Water heating system	PAGE	7
Air circulation blower	PAGE	7
REPLACEMENT PARTS LIST	PAGE	7
REPLACEMENT PARTS ILLUSTRATION	PAGE	8
WARRANTY	PAGE	9

SAFETY INSTRUCTIONS

WARNING !

THESE OPERATOR SAFETY INSTRUCTIONS SHOULD BE

READ CAREFULLY!

DO NOT DESTROY

PLEASE RETAIN FOR FUTURE REFERENCE

1. Fire door must be latched shut at all times when fire is burning. Open only to reload or check fire.
2. When reloading or checking fire, pull open bypass lever first, then open door very slowly.
3. All combustible material, including firewood, must be a minimum of 460 mm (18") from unit.
4. Do not hang any combustible material above unit.
5. Burn wood only!
6. Do not use gasoline type lantern fuel, kerosene, charcoal lighter fluid or similar liquids to start or freshen up a fire in this heater. Keep all such liquids well away from the heater while it is in use.

GENERAL SPECIFICATIONS

TYPE OF FUEL	Wood, any species
COMBUSTION SYSTEM	Down-feed progressive cross-draft design with a constant preheat secondary air system.
TEMPERATURE CONTROL	Manual bimetallic thermostat with optional electric wall thermostat
FIREBOX LINING	Firebrick 32 mm X 114 mm X 229 mm (1 1/4" X 4 1/2" X 9")
BODY	2.6 mm, 3.5 mm & 8 mm Steel (12 GA, 10 GA & 5/16" Steel)
DOORS	Constant center push design with 5/8" (15 7/8 mm) diameter glass fiber rope seal.
ASH REMOVAL	Approximately every 1-3 months as needed.
OPTIONS	<ul style="list-style-type: none"> • Wall thermostat • Domestic hot water heating coils • Air circulation blower

Chimney Fires

When wood heats up, wood gases and water vapor are given off. If these gases are not burned off in the stove, they condense in the stove pipes and chimney. This buildup is called creosote. This usually happens when a heater is at low heat setting. At high heat settings most of the gases are burned.

A chimney fire occurs when creosote in the chimney ignites, usually when the heater is turned up high after a period of low burn.

Check your chimney pipe daily for creosote buildup until experience shows how often cleaning is necessary. Running the heater wide open with bypass pulled out for 30 minutes periodically (about once a week) will minimize creosote buildup. If creosote buildup is 6 mm (1/4") or more, clean or have the chimney cleaned mechanically.

In the event of an uncontrolled chimney fire, shut the bypass damper and turn down the draft damper completely. (On thermostat models—turn down thermostat).

If chimney fire does not die down, keep a watch on fire and prepare to vacate the house.

If needed, call the fire department.

NOTE:

1. Establish a routine for the storage of fuel, care of wood burner and firing technique. Be aware that during mild weather and low heater temperatures, more creosote is deposited and more frequent cleanings are necessitated.
2. All ARDENT ENERGY heating units are designed with double walled sides and insulated doors. This keeps the exterior of the units relatively cool. However, children must be taught to respect all wood burning appliances and not to play around or with them.

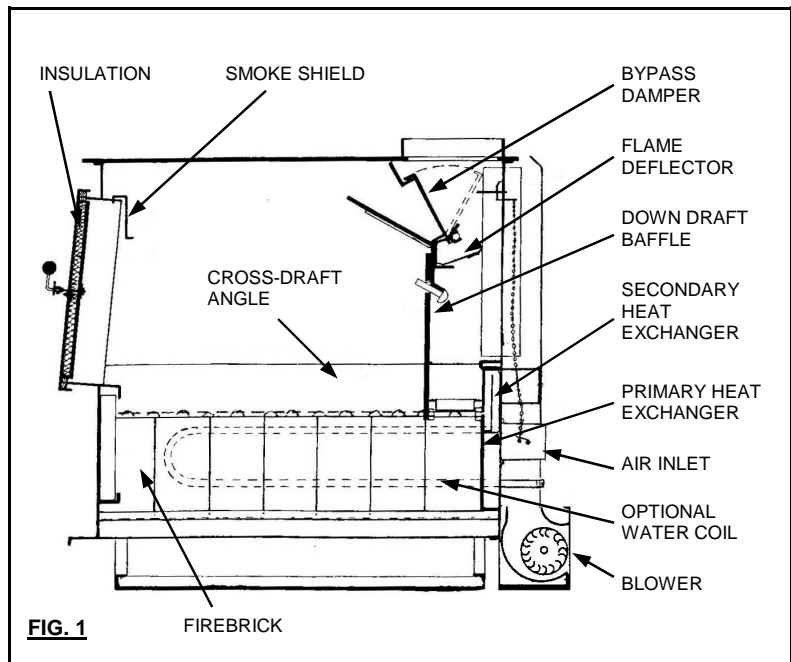


FIG. 1

RATING	(KW) (BTU/hr)	1,300 - 22,000 5,000 - 85,000
SIZE	(mm) (in.)	692 x 1016 x 965 H 27 1/2 x 40 x 38 H
WEIGHT	(Kg) (lbs.)	273 600
FUEL CAPACITY	(liters) (cubic ft)	230 8 1/2
MAX. FUEL SIZE	(mm) (in.)	305 diameter x 610 long 12 diameter x 24 long
FLUE OUTLET	(mm) (in.)	203 diameter 8 diameter

OPERATION INSTRUCTIONS

ARDENT ENERGY units are especially designed for controllability. With the optional thermostat kit, your house will be heated to within 1 degree Celsius of your thermostat setting.

The following operating instruction **MUST BE FOLLOWED CAREFULLY** for satisfactory operation.

FUEL

Do not burn any fuel but wood.

Do not burn driftwood. Salt corrosion is not covered under warranty.

Wood should be dry, however green wood can be burned. It should be noted when using green wood that:

1. The amount of wood that you need is increased by approximately 20% when using green compared to dry wood.
2. The wood has to be in smaller pieces.
3. More frequent fueling is necessary.
4. Creosote formation may increase.
5. The fire has to be started with dry wood until a good bed of coals is formed.
6. Heat output will be considerably lower.
7. Do not use grate or elevate fire.

BYPASS DAMPER

1. When the bypass damper is open (i.e. bypass rod pulled out) combustion will take place within the entire firebox. Operate the heating unit with bypass control rod pulled out when quick heat is required and when starting the fire.
2. When desired house temperature has been achieved push bypass rod in.
3. Whenever there is a fire burning, the bypass lever should be open for 30 seconds before the door is slowly opened.

LIGHTING

Before lighting, the bottom of the unit must be covered with one inch of sand or ash. After lighting, leave the door open a crack for a few minutes for the wood to catch then latch door shut. The bypass should be left open long enough to allow the chimney and the heater to reach operating temperature and so create a good draft. Do not use a grate or elevated fire; build wood fire directly on hearth.

NOTE: Fire door must be latched shut at all times except when loading fuel or checking the fire.

MANUAL CONTROL

Turn manual draft control counterclockwise (open) all the way until unit warms up, then clockwise to adjust temperature to suit.

WALL THERMOSTAT CONTROL

Set the thermostat at temperature desired. When warming up a cold room there will be an initial temperature overrun, then the temperature will stabilize.

RELOADING

1. Have wood on hand to load firebox.
2. Open bypass lever for 30 seconds.
3. Open the door SLOWLY. Allow the chimney to draw off smoke
4. Load wood.
5. Close door and push bypass lever in.

DO NOT OVER-FIRE UNIT BY LEAVING DOOR OPEN EXCEPT TO LIGHT AND TO CHECK FIRE.

Operation with door ajar voids warranty.

NOTE: Cleanest burning conditions occur when the fuel wood has been reduced to charcoal. To minimize creosote buildup, load the unit with just enough wood to last until the next loading time. This will ensure that the fuel is in charcoal form for a good portion of the burn cycle. Of course, the unit can be loaded to capacity during extremely cold weather or when extended intervals between loadings are anticipated.

MAINTENANCE

DAILY

Check chimney and pipe for creosote build-up until experience shows how often cleaning is necessary. Periodically (about once week) run unit at maximum with bypass open for 30 minutes to bake any creosote in the chimney and pipes. This should greatly reduce frequency of cleaning.

AS NEEDED

Any creosote buildup in chimney and pipe over 6 mm (1/4") should be removed mechanically. OPEN BYPASS BEFORE CLEANING CHIMNEY.

ASH REMOVAL

Ashes should be removed once they reach a depth of 100 mm (4 in.) maximum. Let the fire burn out. Protect the area in front of heater with a non-combustible material. Shovel ashes into a metal container with a tight fitting lid and leave an inch of ash in the heater. The closed container of ashes should be placed outside on non-combustible surface, or on the ground, well away from all combustible materials, pending final disposal. If the ashes are disposed of by burial in soil or otherwise locally dispersed, they should be retained in the closed container until all the cinders have thoroughly cooled.

DOOR

The door is an unique adjustable center push design to ensure trouble free, air tight operation for years to come. When closing the door there should be a slight resistance; if not, the door should be adjusted. To adjust in and out, loosen the top 2 nuts, move the door in or out, then tighten the nuts. To adjust up or down, loosen the bottom 2 nuts, move the door up or down, then tighten the nuts. Lubricate door pawl with high temperature lubricant monthly.

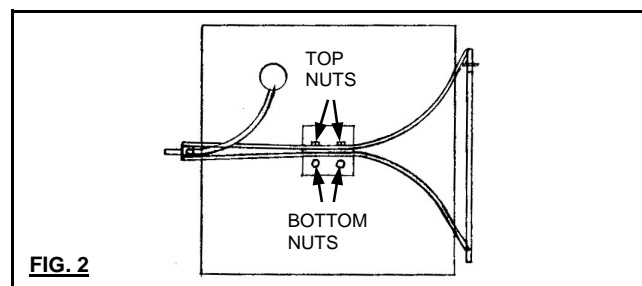


FIG. 2

DRAFT CONTROL

Check that it opens and closes freely.

FIREBRICK

Care should be taken when refueling to avoid breakage of brick. If frozen wood is burned, do not let frozen surface touch brick. Broken brick must be replaced to prevent overheating of firebox.

Periodically check the door seal for condition and tightness of door fit. If seal shows signs of a deteriorating condition, improper fit or signs of leakage, it should be replaced.

PAINT

The midnight brown, high temperature paint is designed to withstand temperatures to 650°C (1200°F). However, should paint discoloration happen, the affected areas can be retouched. For the correct type of paint, contact your dealer. When first using the unit, the paint may smoke for 1/2 hour to 1 hour. This is normal and is part of the curing process.

HOT WATER SYSTEM

DRAINING AND CLEANING

Cleaning should not normally be necessary unless water tends to cause deposits. Should heating efficiency drop off noticeably, the coil in the heater should be inspected and if necessary, cleaned.

Suggested Procedure for Cleaning Coil (see Fig. 6 on Page 7):

1. Let the unit cool down.
2. Close the valves to the Range Boiler from the coil.
3. Open the drain valve & drain water from the coil.
4. Disconnect the piping & unions.
5. Clean the coil, using a drain cleaning "snake."
6. Connect piping, close drain and open valves to range boiler.

WHEN YOU HAVE NO WATER

Your heater should not be fired with a dry water coil. If you have no water for circulation, the coil should be isolated from the system and removed, replacing open holes with two 25 mm (1") diameter standard washers per hole, using a 19 mm x 25 mm (3/4" X 1") bolt to hold washers together.

INSTALLATION

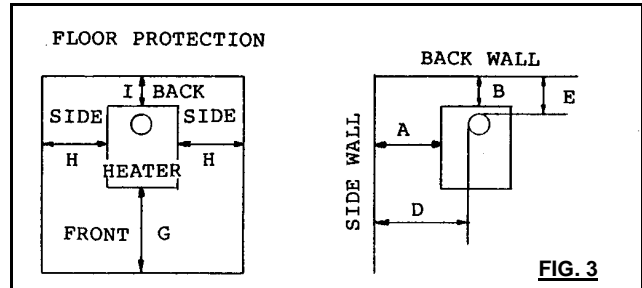
LOCATION AND CLEARANCES

MINIMUM CLEARANCE TO COMBUSTIBLE MATERIALS:

Sidewall (A)	515 mm (20")
Backwall (B)	305 mm (12")
Sidewall (D)	700 mm (27½")
Backwall (E)	395 mm (15½")

INSTALLATION PROCEDURE

1. Do not locate near an exit. Do not connect space heater to any air distribution duct.
2. Locate heater and floor protection as central as possible within the home or space to be heated, observing minimum clearances to combustible materials listed above.



3. To ensure vertical alignment, suspend a plumb bob from the ceiling over the exact center of the flue of the stove, and mark a spot on the ceiling to indicate the center of the chimney.
4. Check that the intended location will not interfere with ceiling joists or rafters before proceeding further.
5. Install chimney according to chimney manufacturer's instructions. Read section on Chimney and see Diagram 2. Chimney must be a 8" diameter listed chimney suitable for wood burning appliances. If an existing masonry chimney is to be used read section under Chimney for specific cautions.
6. Ceiling shield S85 must be installed on ceilings less than 2.4 m (94") high. Install shield directly over stove and secure to ceiling with screws provided.
7. Use plumb bob to ensure that the heater flue is centered under the chimney.
8. Install chimney connector. The connector must be at least 24 gauge steel. Insert crimped end of the 8" diameter connector into the heater flue. Install additional connector to meet chimney.
9. Connect chimney connector to chimney as per chimney manufacturer's instructions.

Combustible floor must be protected by non-combustible material extending beneath the heater and to the front and sides as indicated: G - 460 mm (18") ; H - 150 mm (6") ; I - 150 mm (6") The space beneath the heater must not be obstructed.

Smoke detector must be located a minimum of 4.5 meters (15') away from heating unit to avoid accidentally setting off the smoke detector.

NOTE: Clearances may be reduced only if combustible material is protected (See CSA Installation Code for Solid Fuel Burning Appliances and Equipment No B365—M 1991)

Clearances may be reduced by means approved by the regulatory authority.

CONNECTION TO CHIMNEY

Chimney suitability is the most important factor that will influence the performance of your ARDENT ENERGY heater. If you follow these instructions your heater will perform efficiently. If an existing chimney does not meet the specifications consult your ARDENT ENERGY dealer about remedial action.

Unit must be connected to the chimney using a minimum of elbows and horizontal pipe. All horizontal pipe must slope toward heater and be installed with seam up. Unit flue opening is designed for the connector to go into the opening.

All connections must be such that any condensation in the flue runs back into the unit and not onto the floor. Ensure connection pipe is spaced at least 460 mm (18") from any unprotected combustible material. Do not pass a chimney connector through an attic or roof space, closet or similar concealed space, or a floor, ceiling, wall or partition of combustible construction.

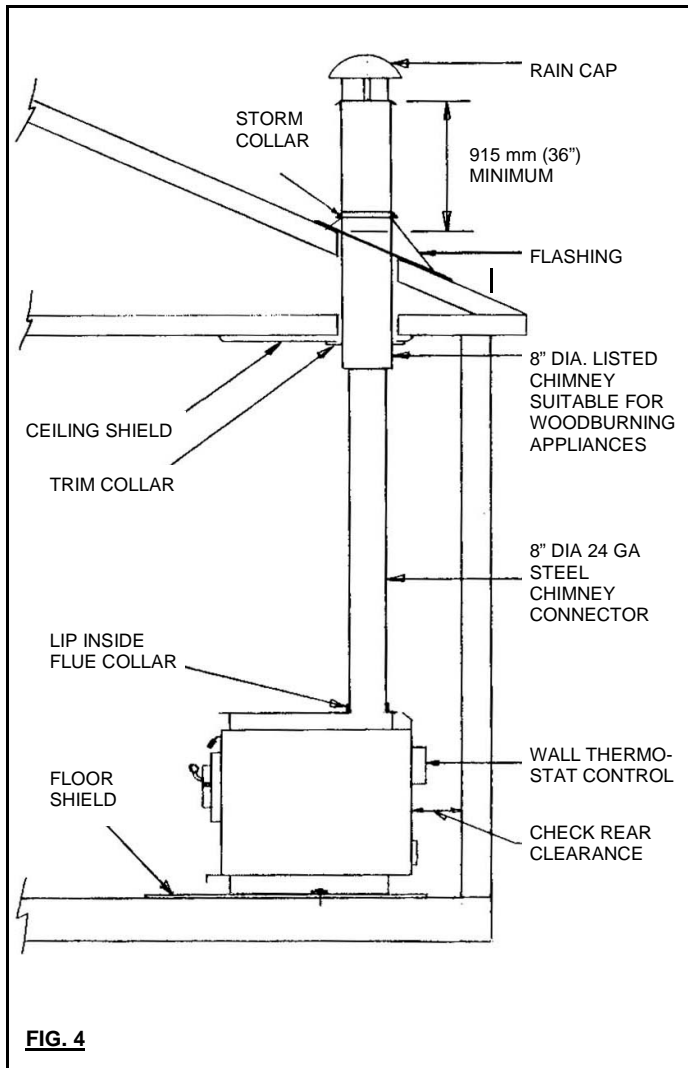


FIG. 4

CAUTION: UNDER NO CIRCUMSTANCES MUST ANY TYPE OF DAMPER OR RESTRICTION BE INSTALLED IN THE CHIMNEY OR CONNECTING STOVE PIPE.

CHIMNEY

Chimney size: 178 mm (8") diameter or 150 mm x 250 mm (6" x 10") maximum inside measure masonry chimney.

Metal chimneys must be of a type suitable for wood burning appliances and masonry chimneys must be lined with an approved liner.

ARDENT ENERGY heating units burn very efficiently, resulting in lower than usual flue gas temperatures. For this reason, outside installation of the chimney is not recommended. Due to the fact that it will dissipate more heat, an outside chimney will cause more problems with low draft and excessive creosote accumulation.

On initial operation of the heating unit a draft reading should be taken. (Contact your local ARDENT ENERGY dealer for further information on measuring draft). The draft should measure .06 water column with the unit at normal operating temperature. If this reading has to be induced by a roaring fire, it is an indication that draft is inadequate. If the draft is more than .06 a draft

regulator should be fitted to the connector pipe. If the draft is less than .06 appropriate action should be taken to improve the draft.

- eg. a) insulate chimney
- b) move unit to eliminate horizontal section
- c) add to top of chimney

If an existing chimney is to be used, it must be inspected carefully for soundness and to assure that it meets the above specifications.

CHIMNEY TERMINATION

Chimneys are required to extend at least 915 mm (3') above the highest point where they pass through the roof of the building and at least 610 mm (2') higher than any portion within ten feet. In some cases the chimney must be higher than minimum for enough draft due to unfavorable geometry of the surroundings.

INSTALLATION OF OPTIONS

WALL THERMOSTAT KIT (MODEL HC2)

The control system consists of an electric damper control unit and a wall thermostat.

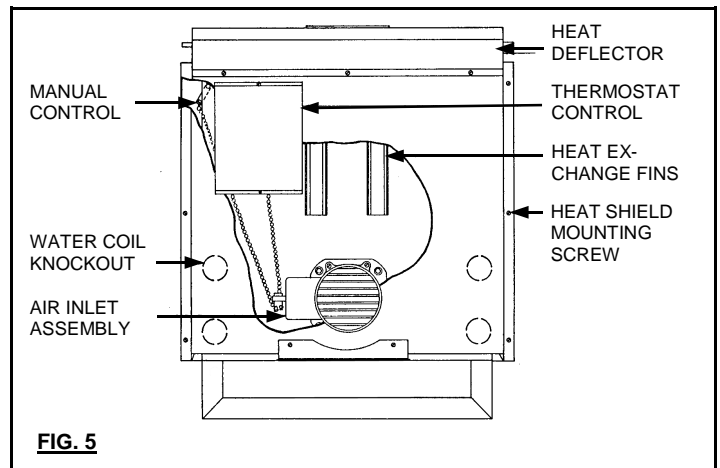


FIG. 5

INSTALLATION

1. Remove the 32 mm (1 1/4") knockout at top left of rear heat shield. Insert arm through hole and screw the damper control unit into pre-drilled holes.
2. Remove left hand side shroud by unscrewing 2 screws at back.
3. Attach one end of ball chain to damper control arm.
4. Attach the remaining end through hole in air intake assembly. (There should be a slight slack in the chain.)
5. Locate thermostat some distance from heater 3M - 6M (10' - 20') but not in another room unless direct venting is provided for hot air.
6. The thermostat should be set on an interior wall. Follow manufacturer's instructions.
7. The heat anticipator setting should be 0.4 amps.
8. Check chain length by shutting off the manual control and setting the thermostat above room temperature. The draft damper should open to maximum.
9. Set thermostat below room temperature; the draft damper should close completely. Adjust chain length if required.

WATER HEATING COIL (MODEL SHW4)

ARDENT ENERGY heating units are designed to heat your domestic hot water during the heating season.

The HF85R can accept one or two coils (1 per side). The coil replaces all but one of the firebrick on the side located.

Procedure:

NOTE: Ensure installation complies with local plumbing codes.

1. Remove both side shrouds by unscrewing the screws at back.
2. Remove rear heat shield and punch out the 2 knockouts on the side desired. Knock outs are tight, out of necessity. A sharp blow with a heavy hammer will be required.
3. Loosen cross draft angle nuts on side of unit. (2 each side located on outside of firebox).
4. Remove brick from that side.
5. Punch out 2 knockouts at back of stove. Reach in through punched out holes with a bar extension and punch out knockouts in primary heat exchanger. (see Fig 5.)
6. Position water coil in stove, replace brick and tighten cross draft angle nuts on side of heater to hold coil in place.
7. Install mineral wool gasket and plate on outside and screw tight.
8. Replace shrouds and heat shield.

TANK CONNECTION

It is recommended that the '2 tank' system be used. The first tank or "Range Boiler" must remain un-insulated to dissipate any excess heat generated by the hot water coil.

Connection of piping to Range Boiler must be strictly followed as shown in the Diagram. The 2 shut-off valves must be no smaller than 3/4 inch GATE valves. Make certain that the PRV (Watts 3L) and P&TRV (Watts 100XL) are installed in their respective locations and not vice versa. Maximum pressure setting is 150 psi. Do not use less than 3/4 inch diameter standard pipe between range boiler and heater, orientation of pipe must be slightly uphill from the coil outlet to the upper connection at the tank, otherwise vapor lock will occur and water will not circulate. Minimum range Boiler recommended is 30 Imperial gallon capacity.

REPLACEMENT PARTS LIST

ITEM	QTY	DESCRIPTION	PART #
1	1	Scandinavian baffle 8 x 18 5/8	AAP016
2	1	Bypass damper	A237W
3	26"	#10 Steel ball chain	R6110
4	2	Detachable pendant 6P	R6121
5	1	Flame deflector	A540
6	1	Down draft baffle	A542
7	2	Cross draft angle	A543W
8	1	Draft control	A913
9	1	Primary air heat exchanger	A321W
10	19	Firebrick 1 1/4 x 4 1/2 x 9	R7101
11	1	Door sill 3 x 16 1/8	AAP059
12	80"	Gasket 5/8 round regular black	R7005
13	1	Door liner	A086
14	1	Door	A356W
15	1	Door knob 1 7/8 OD 1/2 ID	R6020
16	1	Door closer	A759W
17	2	Draft/bypass handle 5/16	R6005
18	1	Bypass bar	A334
19	1	Draft control rod	A324W
20	1	Bypass lever	A239W
21	1	Smoke shield	A079W
22	1	Draft control gasket	A989

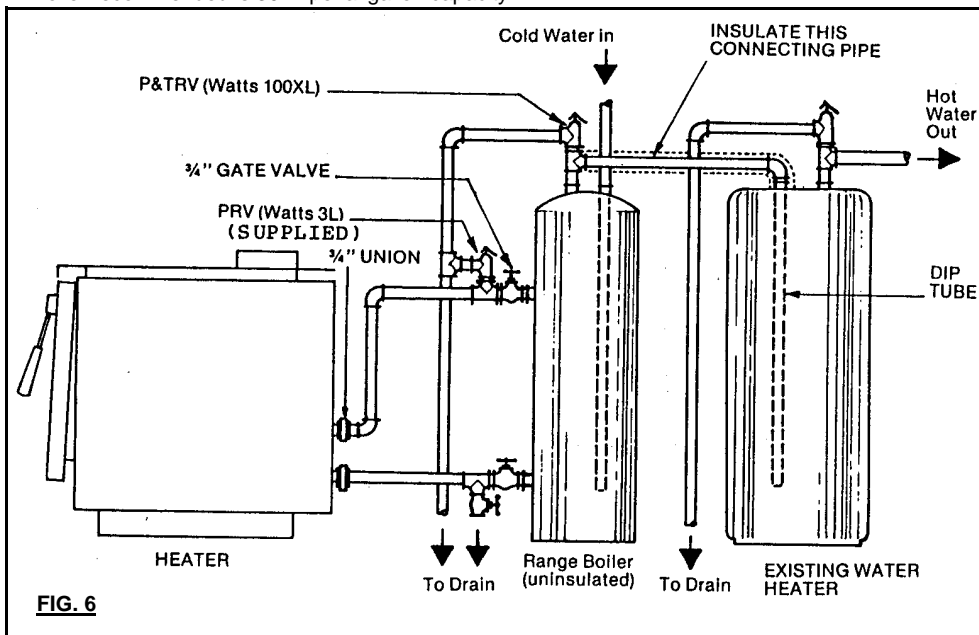


FIG. 6

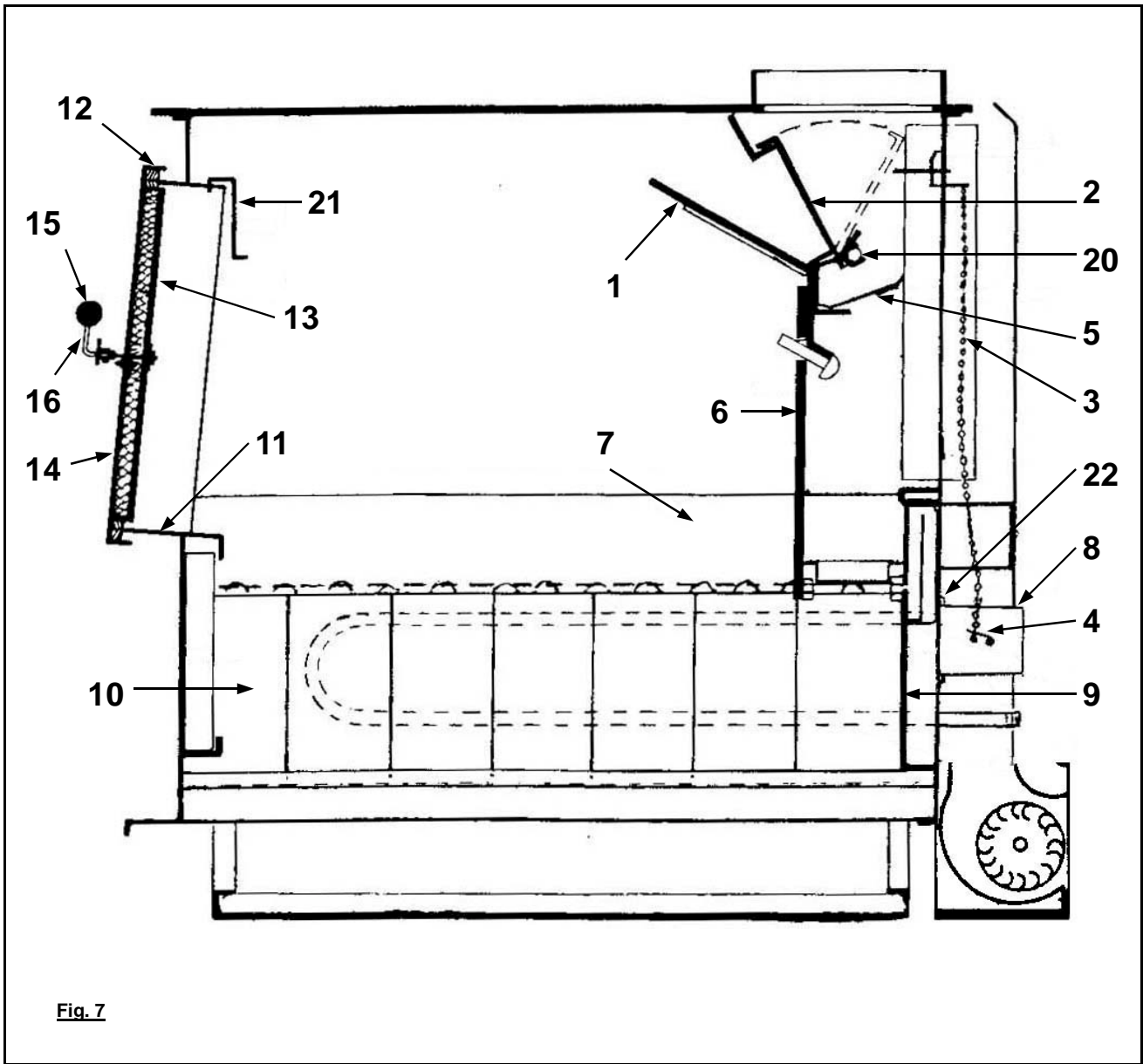


Fig. 7

NOTE: RECORD YOUR MODEL AND SERIAL # HERE FOR EASY REFERENCE WHEN ORDERING REPLACEMENT PARTS.

MODEL # _____

SERIAL I# _____

DATE OF INSTALLATION _____



Model HF85R Space Heater Warranty

THREE YEAR LIMITED WARRANTY

Ardent Energy Ltd. warrants the Model HF85R space heater against defects in material and workmanship for a period of three (3) years from the date received, with the exception of items listed hereafter in the "Exclusions" section.

Ardent Energy Ltd., at its option, will replace, repair or cause to be repaired any part found to be defective upon inspection by an authorized Ardent Energy Ltd. representative.

EXCLUSIONS

1. Repairs or replacement of part or all of the appliance, necessitated by use of the stove other than for normal home use, as directed by the instruction manual.
2. Repairs or replacements necessitated by vandalism, neglect, abuse or failure to adequately service the appliance, as stated in the instruction manual.
3. Repairs or replacements necessitated by work or service not authorized by Ardent Energy Ltd.
4. Equipment and accessories not manufactured by Ardent Energy are warranted only to the extent of the original manufacturer's warranty.
5. Repairs or replacement of motors, fittings, controls, transformers, accessories and so forth.
6. Replacement of gaskets and firebrick.
7. Repairs necessitated by excessive chimney draft.

LIMITATIONS

1. All items found to be defective will be replaced or repaired upon return of the defective part to an authorized Ardent Energy Ltd. dealer.
2. Any space heater or part thereof that is replaced or serviced during the three year warranty period, will be warranted under the terms of that particular limited warranty for a period not exceeding the remaining term of the original limited warranty, or six months, whichever is longer.
3. This warranty is transferable. However, proof of date of purchase is required before service or replacement of any defective part is performed.
4. This Limited Warranty does not apply to damage to the space heater or part thereof, while in transit. Any claim of such must be directed to the common carrier.
5. If the installation does not conform to local building or fire codes, or in their absence, the installation requirements in the instruction manual, any claims are not valid and will not be processed.
6. Any shipping charges incurred during a warranty claim will be borne by the space heater owner.
7. The remedies set forth herein are exclusive, and the liability of Ardent Energy Ltd. with respect to any contract, tort, under any warranty or otherwise shall not exceed the price of the equipment or part on which such liability is based.

To enable us to service any warranty claim as quickly as possible, please fill out and return your warranty card as soon as you receive your Ardent Energy space heater.