



# ZDVRB3622

ZERO CLEARANCE **DIRECT VENT** LINEAR GAS FIREPLACE



The Ultimate in Design, Engineering & Quality

This unit illustrated is a ZDVRB3622N Zero Clearance Direct Vent Natural Gas Linear Fireplace, with Decorative Bronze Glass, Z36CVCK Designer Clean View Circulating Kit, Z3622PRL Porcelain Reflective Liner and optional ULK2 Universal Light Kit.

# The Ultimate in Zero Clearance Direct Vent Fireplaces for New Home Construction or Renovation

**YOUR BEST CHOICE FOR INSTALLATION ANYWHERE THROUGHOUT YOUR HOME.**

<b>MODEL</b>	ZDVRB3622N/ZDV3622NE	ZDVRB3622LP/ZDVRB3622LPE
<b>FUEL</b>	NATURAL	PROPANE
<b>INPUT MAX.</b>	17,500	17,500
<b>INPUT MIN.</b>	12,000	14,000
<b>FE (P.4.1-02)</b>	63.8%/68.3%	63.8%/68.3%

## FEATURES\*

- Hi/Low Millivolt or IPI valve system will operate during power failures.
- Decorative Bronze Glass
- Mobile Home, Bedroom and Bed Sitting Room approved

## OPTIONAL FEATURES

**Designer Clean View Circulating Kit** – No louvers required

**Decorative Louvers** – Grills available in Black, and Classic Series Black with Antique, Chrome, or Polish Brass accents

**Surrounds Wide** – Polish Brass, Antique, Chrome or Black Coverage – 34<sup>1</sup>/<sub>4</sub>" h x 41<sup>1</sup>/<sub>8</sub>" w (*louvered units only*)

**Surrounds Slim Line** – Gun Metal Black Coverage – 34<sup>1</sup>/<sub>4</sub>" h x 37<sup>1</sup>/<sub>2</sub>" w (*louvered units only*)

**Picture Frame Surround** – Black or Chrome Coverage – 37<sup>1</sup>/<sub>2</sub>" h x 41<sup>1</sup>/<sub>8</sub>" w (*louvered units only*)

**Fan Kit** – Heat activated with variable speed control

**Wall Mount Thermostat** – Standard on/off or Programmable 5 day (weekday) and 2 day (weekend)

**Remote Control** – On/OFF, Thermostat on/off, Thermostat on/off modulating, Thermostat on/off modulating and fan control.

**Child Safety Screen**

**Porcelain Reflective Liner**

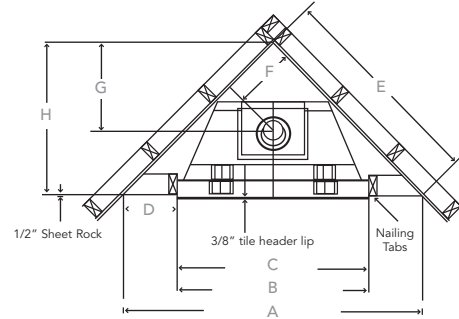
**Metal Brick Liner**

**Universal Light Kit** – Two Lamps



## CORNER FRAMING DIMENSIONS (INCHES)

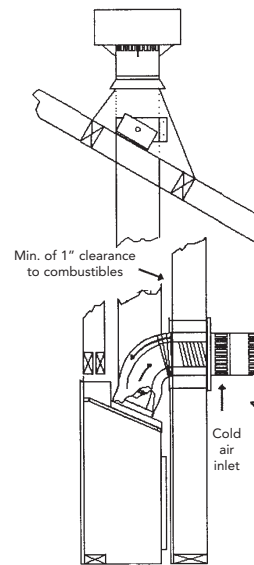
	A	B	C	D	E	F	G	H
<b>LOUVERED</b>	50 <sup>15</sup> / <sub>16</sub> "	36 <sup>3</sup> / <sub>8</sub> "	36"	7 <sup>5</sup> / <sub>16</sub> "	36"	11"	15 <sup>1</sup> / <sub>4</sub> "	25 <sup>1</sup> / <sub>2</sub> "
<b>CLEAN VIEW CIRCULATING KIT (CVCK)</b>	56"	38 <sup>7</sup> / <sub>16</sub> "	38 <sup>1</sup> / <sub>16</sub> "	8 <sup>3</sup> / <sub>4</sub> "	39 <sup>5</sup> / <sub>8</sub> "	11"	15 <sup>5</sup> / <sub>8</sub> "	28"



## UNIT AND FRAMING SPECIFICATIONS (INCHES)

TOP FLUE MODELS	Height		Front Width		Depth	
	Actual	Framing	Actual	Framing	Actual	Framing
<b>LOUVERS</b>	33 <sup>1</sup> / <sub>2</sub> "	34"	36"	36 <sup>3</sup> / <sub>8</sub> "	15 <sup>1</sup> / <sub>16</sub> "	15 <sup>1</sup> / <sub>4</sub> "
<b>CLEAN VIEW CIRCULATING KIT (CVCK)</b>	33 <sup>3</sup> / <sub>4</sub> "	36 <sup>3</sup> / <sub>4</sub> "	38 <sup>1</sup> / <sub>16</sub> "	38 <sup>7</sup> / <sub>16</sub> "	18 <sup>1</sup> / <sub>16</sub> "	17 <sup>3</sup> / <sub>4</sub> "

Vertical flue option #1



Horizontal flue option #2

TOP FLUE MODELS	Width	Height
<b>VIEWING AREA</b>	29 <sup>3</sup> / <sub>4</sub> "	16 <sup>1</sup> / <sub>8</sub> "



Kingsman Fireplaces maintains a program of continuous testing, refinement and improvements of all its products. Some aspect of units shown here may be changed at any time without notice or obligation.

Certification: The models ZDVRB3622/ZDVRB3622LP are certified to ANSI Z21.50b-2009/CSA 2.22b-2009, CGA 2.17-M91 vented gas fireplace. The models ZDVRB3622NE/ZDVRB3622LPE are certified to ANSI Z21.88-2009, CSA2.33-2008, CGA 2.17-M91 vented gas fireplace heater.

\*Components may have to be ordered separately to create a complete unit. Discuss with your local Kingsman dealer for clarification.

This unit illustrated is a ZDVRB3622N Zero Clearance Direct Vent Natural Gas Linear Fireplace, with Decorative Bronze Glass, Z36GBC Grill Kit – Classic Chrome, Z3622PRL Porcelain Reflective Liner, Z36SBLPF Surround Picture Frame – Black and optional ULK2 Universal Light Kit

