

**Blaze
King**

Torino



There Are Many Door and Trim Options, Including Plated Gold, Satin, Onyx and Painted. Shown At Right Is The Torino Rear Vent With Satin Door and Satin Trim.

Torino

The Perfect Addition To Your Home Heating!

Great Looks, Efficiency & Quality You Can Feel!

- Up to 80% Efficiency
- Operates During Power Failures
- No Costly Hearth Pad Required
- Easy To Clean Hinged Door
- Temperature Sensor Automatically Turns Fans off and on
- 36,000 BTU Input Natural & LP Gas
- Oversized Full-View Window
- Variable Speed Fan
- Limited-Lifetime Warranty Includes 5 Full Years Parts & Labor on Fans & Controls
- Pyro-Glo® Ceramic Logs & Burner
- 1400 Degree Ceramic Glass
- Electronic Ignition with Standing Pilot or Intermittent Pilot for Improved Efficiencies
- Wireless Remote Thermostat Allows for Convenient Flame Height Adjustment



Installers will Appreciate the Ability to Install the Torino as Either a Top-Vent or Rear-Vent. Shown Here with Painted Door and Satin Trim

The Anatomy of a Great Stove!

Snap Disc

The temperature sensing snap disc automatically turn your fans on and off when your Blaze King® is being used.



Fan Assembly

This is a fan assembly. There are many types used, but all essentially do the same thing, help to move hot air around your home. Blaze King® gas appliance fans are covered for a full five years, parts & labor!



Gas Valve

This is a high-tech electronic ignition gas control valve. It regulates gas flow to your appliance and has many features, including the choice of either intermittent or standing pilot. By selecting the intermittent option, your Torino Stove can provide exceptional efficiencies by allowing the pilot to only burn while the main burner



is operating. When you purchase a Blaze King® gas appliance,

the valve & labor are both covered for a full 5 years.

Wireless Remote

This is a wireless remote thermostat. With this handy device you can regulate flame height and control heat output. You can also control fan speed and turn the illuminated halogen viewing door lamp on and off. An easy to read, illuminated digital display makes it easy to dial in your comfort zone.



The superior design and engineering embodied in the Torino produces a supremely clean and attractive burning direct vent appliance suited to even the most difficult installations. Including high altitude applications. With a simple installation of approved venting, you can safely burn either liquid propane or natural gas. Approved for use in any home, including mobile home applications.

Your Torino comes standard with a special halogen light to illuminate the firebox year round. By simply utilizing this special lighting effect, a beautiful glow is cast upon the stunning logs and brick panels. When combined with the Torino's optional Ember Screen, as shown below, a filtered pattern makes the fireplace even more special in appearance.



Blaze King

Blaze King® Industries
www.blazeking.com

Torino

Clearances And Specifications

Performance

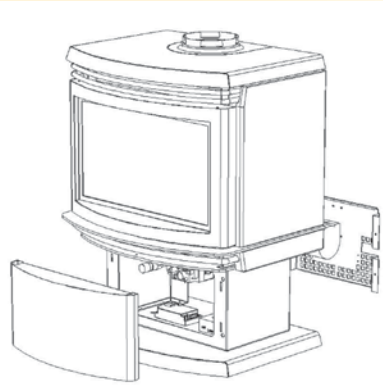
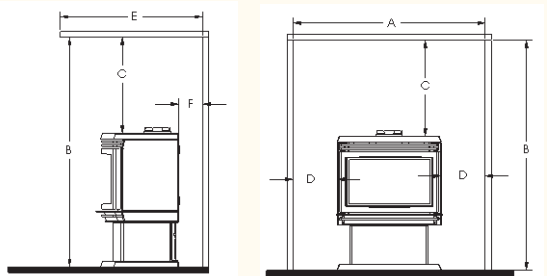
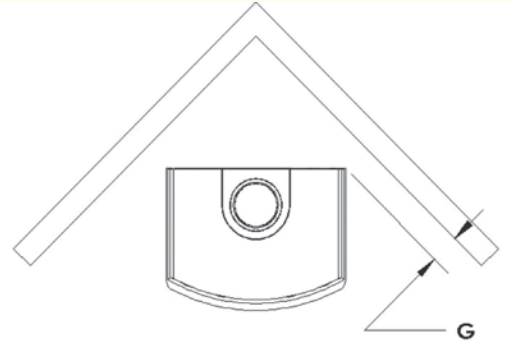
Natural Gas	Propane Gas	
36,000	36,000	Max. Input btu/hr
81%	82%	Steady State Efficiency
68.78%	70.52%	Canadian P.4 Efficiency
25,000	25,000	Min. Input btu/hr

Specifications

26 3/8"/672mm	width
33 1/2"/851mm	height
20 1/2"/521mm	depth
4" x 6 3/8"/102x153mm	flue diameter
215# / 98 kg	shipping weight

Clearance to Combustibles

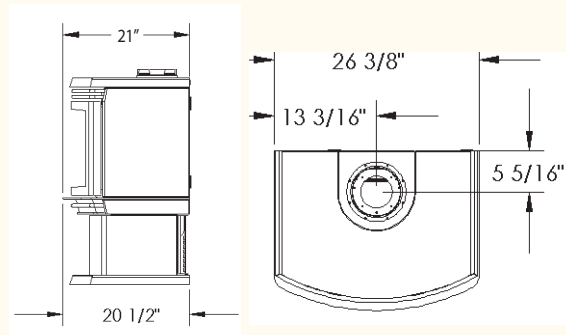
A. Alcove Width	min. 46 3/8" (1178mm)
B. Alcove Height	min. 48" (1219mm)
C. Top of Unit to Alcove Ceiling	min. 12 1/2" (318mm)
D. Side of Unit to Sidewall	min. 10" (254mm)
E. Alcove Depth	min. 37" (940mm)
F. Back of Unit to Back Wall	min. 6" (152mm)
G. Corner of Unit to Side Wall	min. 4 3/8" (111mm)



Although your Torino is built using the finest products available, should service be required, superior engineering makes service a snap.



NOTICE: Improper installation of your gas appliance or failure to operate it according to the guidelines detailed in the owners manual, may negate your warranty and endanger your home or family. Contact local building or fire officials about restrictions and installation requirements in your area. Photos and illustrations are for descriptive purposes only. Changes dictated by the manufacturer's continuing design improvement programs may not be shown. These products are covered by one or more patents in the United States, Canadian and other countries. All Blaze King® Industries products are manufactured under license agreement from: Blaze King® Industries, 146 A Street Walla Walla, WA. 99362 and in Canada by Blaze King® Systems Inc. 1290 Commercial Way, Penticton BC V2A3H5. Design and specifications subject to change without notice. Rev. 11/09 CP76933 5M



NOTE: When installing the Torino rear vent, a minimum 36" snorkel must be used. For detailed installation instructions, please refer to the Owners & Operators Manual.

The Blaze King Torino is listed and certified for installation in the U.S.A. and Canada under the following standards: ANSI Z21.88b-1999/CSA 2.33b-M99 Vented Gas Fireplace Heater CAN/CGA-2.17-M91 Gas Fired Appliances for Use at High Altitudes. This appliance may be installed in a manufactured home (U.S.A. only). Mobile home installations (USA and CANADA) must be done in accordance with the manufacturer's instructions and the manufactured home construction and safety standard, Title 24 CFR, Part 3280 or Standard for Installations in Mobile Homes, CAN/CSA Z240 MH. This appliance is for use only with the type(s) of gas indicated on the rating plate. Research and development laboratory tested for steady state efficiency (NG 81% and LP 82%).

Pyro-Glo® is a registered trade mark of Pyrotek, Inc.

Your Authorized Dealer:



Blaze King® Industries
www.blazeking.com