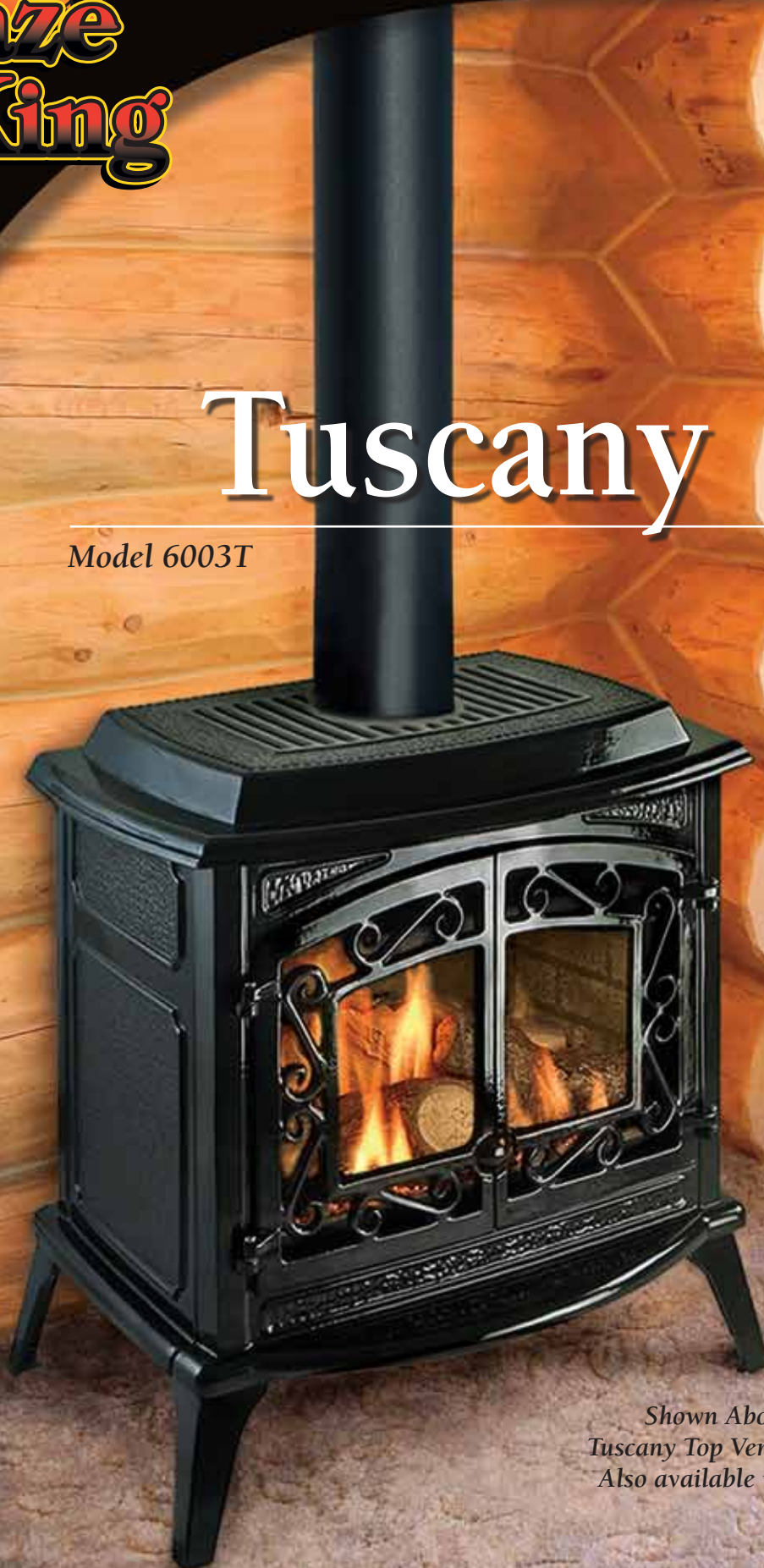


**Blaze
King**

TUSCANY

Tuscany

Model 6003T



*Shown Above is the
Tuscany Top Vent Direct Vent.
Also available in Rear Vent.*

Tuscany

**Casting
Elegance and
Warmth
In Your
Home!**

- Up to 82% Efficiency
- Operates During Power Failures
- No Costly Hearth Pad Required
- Easy To Clean Hinged Door
- Temperature Sensor Automatically Turns Fans off and on
- 27,000 BTU Input Natural & LP Gas
- Full-View Window
- Variable Speed Fan
- Limited-Lifetime Warranty Includes 5 Full years on parts
- Hi-glow Fiber Logs & Embers
- 1400 Degree Ceramic Glass



Rheostat and Snap Disc

The rheostat and snap disc features allow you to adjust your optional variable fans to the speed you favor. The temperature sensing snap disc automatically turn your fans on and off when your Blaze King® is being used.



Fan Assembly

This is a fan assembly. There are many types used, but all essentially do the same thing, help to move hot air around your home. Blaze King® gas appliance fans are covered for a full five years, parts & labor!



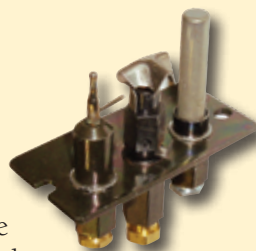
Gas Valve

This is a gas valve. It regulates the gas flow to your appliance. When you purchase a Blaze King® gas appliance, the valve & labor are both covered for a full 5 years.



Thermocouple or Thermopile

This is a thermocouple or thermopile. Gas units have one or both. When the flame from the pilot makes contact with this essential part, gas continues to flow through the valve. The full-five year warranty from Blaze King® covers the little parts as well!



Snorkel

When installing the Tuscany rear vent, a snorkel must be used. For detailed installation instructions, please refer to the Owners & Operators Manual.



The superior design and engineering embodied in the Tuscany produces a supremely clean burning and attractive direct vent appliance. It is suited to even the most difficult installations, including high altitude applications. With a simple installation of approved venting, you can safely burn either liquid propane or natural gas. The sliding aeration adjustment can even be done while the unit is hot, making fine tuning a snap! Approved for use in any home, including mobile home applications. Refer to Owners & Operators Manual Prior To Installation. This appliance must be properly connected to a venting system in accordance with manufacturer's installation instructions.

Blaze King

Blaze King® Industries
www.blazeking.com

Tuscany

Clearances And Specifications

Performance

Natural Gas	Propane Gas	
27,000	27,000	Max. Input btu/hr
21,800	22,100	Max. Output btu/hr
81%	82%	Steady State Efficiency
18,000	18,000	Min. Input btu/hr

Specifications

27 1/2"/699mm	width (at legs)
29"/737mm	height
24"/610mm	depth
4"x6"/102x153mm	flue diameter
265# / 121 kg	shipping weight

Clearance to Combustibles

4"/100mm	rear
10 1/2"/266mm	side
2"/50mm	corner

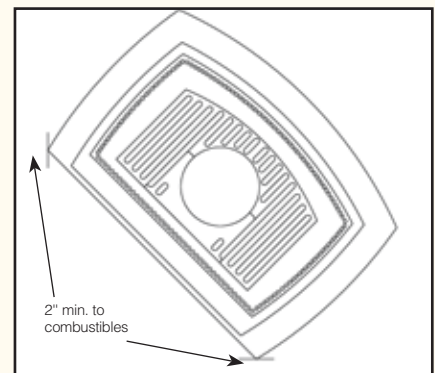
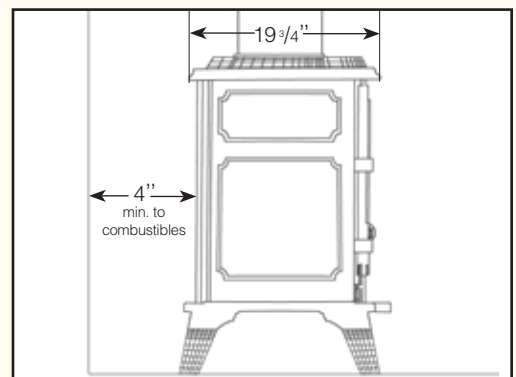
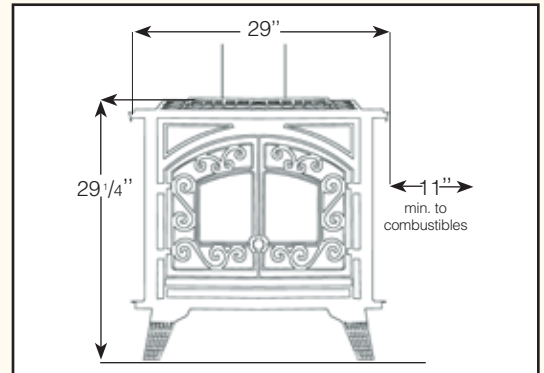
Alcove

A. 11"/275mm	side wall to unit side
B. 4"/100mm	back wall to unit back
C. 14"/700mm	wall to vent center
D. 2"/50mm	corner to side wall
46"/1150mm	min. alcove height



The Blaze King Tuscany is listed and certified for installation in the U.S.A. and Canada under the following standards: ANSI Z21.88b-1999/CSA 2.33b-M99 Vented Gas Fireplace Heater CAN/CGA-2.17-M91 Gas Fired Appliances for Use at High Altitude; CSA-P4.1-02. This appliance may be installed in a manufactured home (U.S.A. only). Mobile home installations (USA and CANADA) must be done in accordance with the manufacturer's instructions and the manufactured home construction and safety standard, Title 24 CFR, Part 3280 or Standard for Installations in Mobile Homes, CAN/CSA Z240 MH. This appliance is for use only with the type(s) of gas indicated on the rating plate. Research and development laboratory tested for steady state efficiency (NG 81% and LP 82%).

NOTICE: Improper installation of your gas appliance or failure to operate it according to the guidelines detailed in the owners manual, may negate your warranty and endanger your home or family. Contact local building or fire officials about restrictions and installation requirements in your area. Photos and illustrations are for descriptive purposes only. Changes dictated by the manufacturer's continuing design improvement programs may not be shown. These products are covered by one or more patents in the United States, Canada and other countries. All Blaze King® Industries products are manufactured under license agreement from: Blaze King® Industries, 146 A Street Walla Walla, WA. 99362 and in Canada by Valley Comfort Systems Inc. 1290 Commercial Way, Penticton BC V2A3H5. Design and specifications subject to change without notice. 4/10 CP77330 2.5M



Your Authorized Dealer:

Blaze King

Blaze King® Industries
www.blazeking.com